



VORTEX submersible pumps for very dirty water

VORTEX submersible pumps, economic, compact, reliable, recommended for domestic use. The proven VORTEX system allows the clearing of dirty water containing suspended solid bodies.



RANGE OF PERFORMANCE

Flow rate up to 300 l/min (18 m³/h)
Head up to 10 m

LIMITS OF USE

Depth up to 5 m
Liquid temperature up to + 40°C
Passage of suspended solid bodies up to Ø 40 mm
Drainage level 40 mm from the bottom
For continuous duty: minimum immersion 240 mm from pump base

CONSTRUCTION AND SAFETY STANDARDS

EN 60 335-1	EN 60034-1	
IEC 335-1	IEC 34-1	
CEI 61-150	CEI 2-3	

INSTALLATION AND USE

ZX PUMPS ARE RECOMMENDED FOR DRAINING WASTE WATER IN THE DOMESTIC SECTOR, FOR CLEARING DIRTY WATER, EVEN CONTAINING SUSPENDED SOLID BODIES WITH DIMENSIONS UP TO Ø 40 mm. THEY ARE OUTSTANDING IN BOTH THEIR SIMPLICITY OF INSTALLATION AND THEIR RELIABILITY IN FIXED INSTALLATIONS WITH AUTOMATIC OPERATION.

GUARANTEE 2 YEARS subject to our general terms of sale.

CONSTRUCTION CHARACTERISTICS

- DELIVERY BODY: cast iron, with threaded port ISO 228/1.
- MOTOR CASING: stainless steel AISI 304.
- IMPELLER: open type, in glass filled technopolymer.
- MOTOR SHAFT: stainless steel EN 10088-3 - 1.4104.
- MECHANICAL SEAL: ceramic - graphite - NBR.
- MOTOR: submersible asynchronous single-phase for continuous duty.
ZXm: single-phase 220÷240 V - 50 Hz with capacitor and thermal overload protector.
- INSULATION: class F. ● PROTECTION: IP 68.

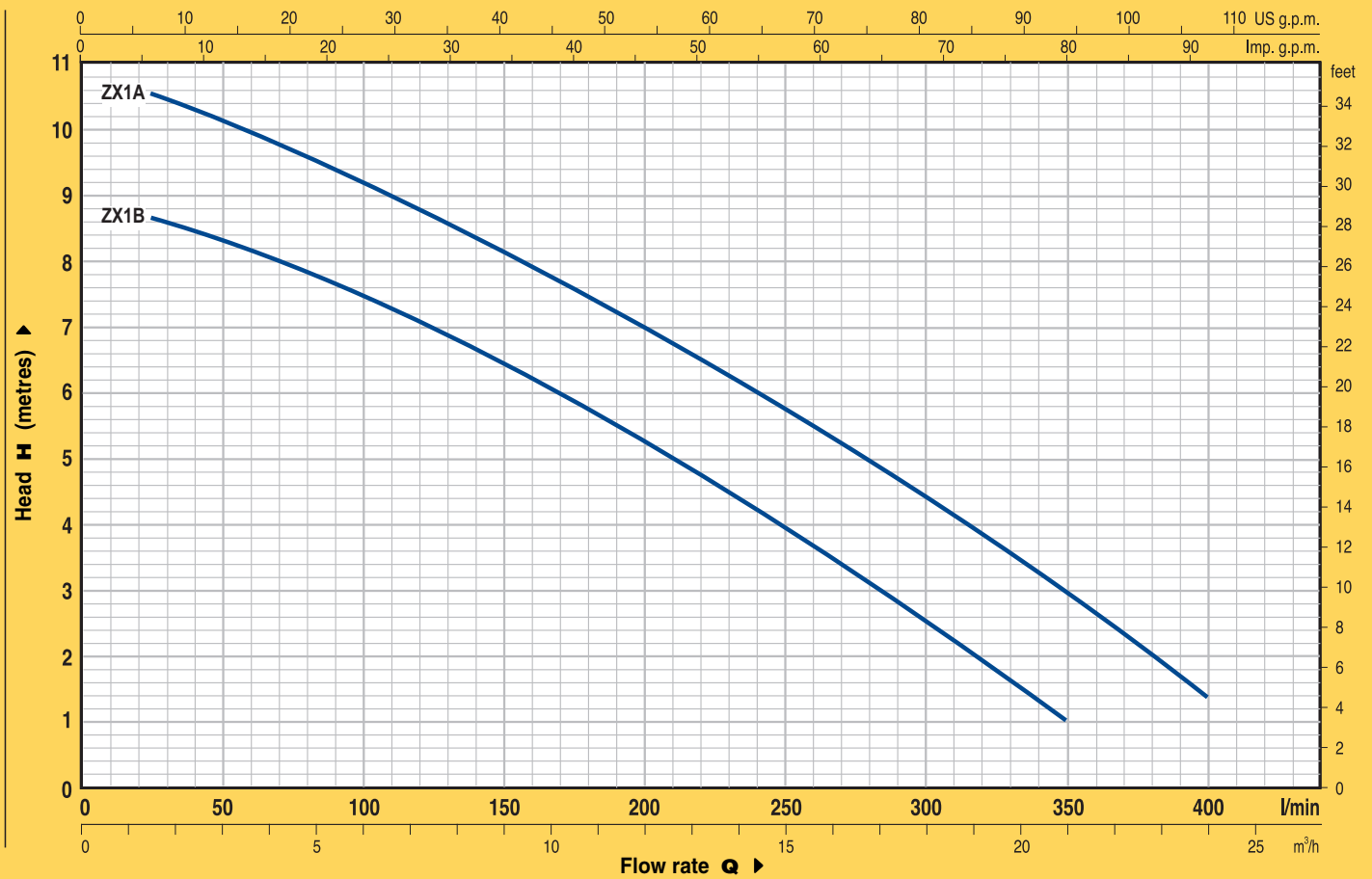
STANDARD FEATURES:

ZXm Float switch.
Neoprene power cable "H07 RN-F"
length **5 metres** with Schuko plug.

OPTIONS ON REQUEST

- ⇒ special mechanical seal
10 metre power cable.
N.B. required for outdoor use to comply with standard EN 60335-2-41
versions without float switch
- ⇒ other voltages or frequency 60 Hz

CURVES AND PERFORMANCE DATA AT n= 2900 1/min

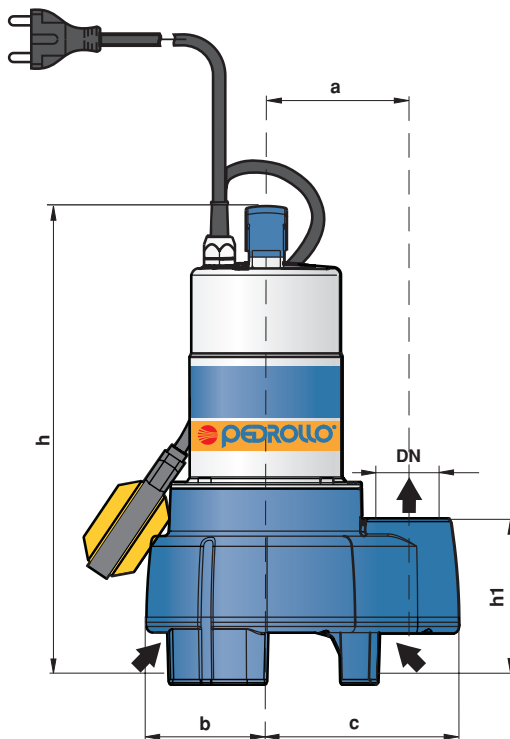


TYPE	POWER		Q	Flow rate												
	kW	HP		m³/h	0	1.5	3.0	4.5	6.0	9.0	12.0	15.0	18.0	21.0	24.0	
Single-phase			l/min	0	25	50	75	100	150	200	250	300	350	400		
ZXm 1B/40	0.50	0.70	H metres	9	8.5	8.3	8	7.5	6.5	5.2	4	2.5	1			
ZXm 1A/40	0.60	0.85		11	10.5	10	9.5	9.2	8.2	7	5.7	4.3	2.8	1.5		

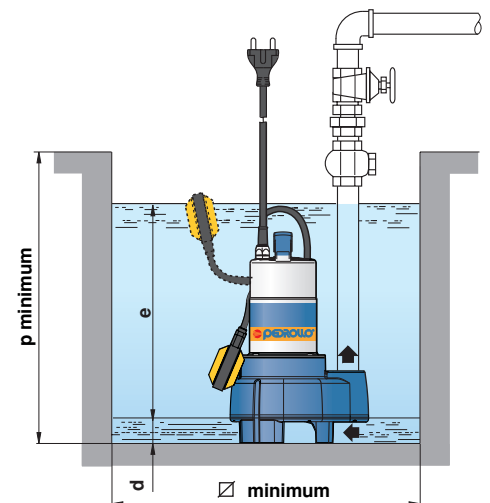
Q = Flow rate H = Total manometric head

Tolerance of the performance curves according to EN ISO 9906 App. A.

DIMENSIONS AND WEIGHTS



Typical installation



TYPE	PORT DN	passage of solid bodies	DIMENSIONS mm									kg	
			a	b	c	h	h1	d	e	p	Ø		
Single-phase													
ZXm 1B/40	1 1/2"	Ø 40 mm	110	93	150	372	128	40	adjustable	450	450	10.8	
ZXm 1A/40												12.4	